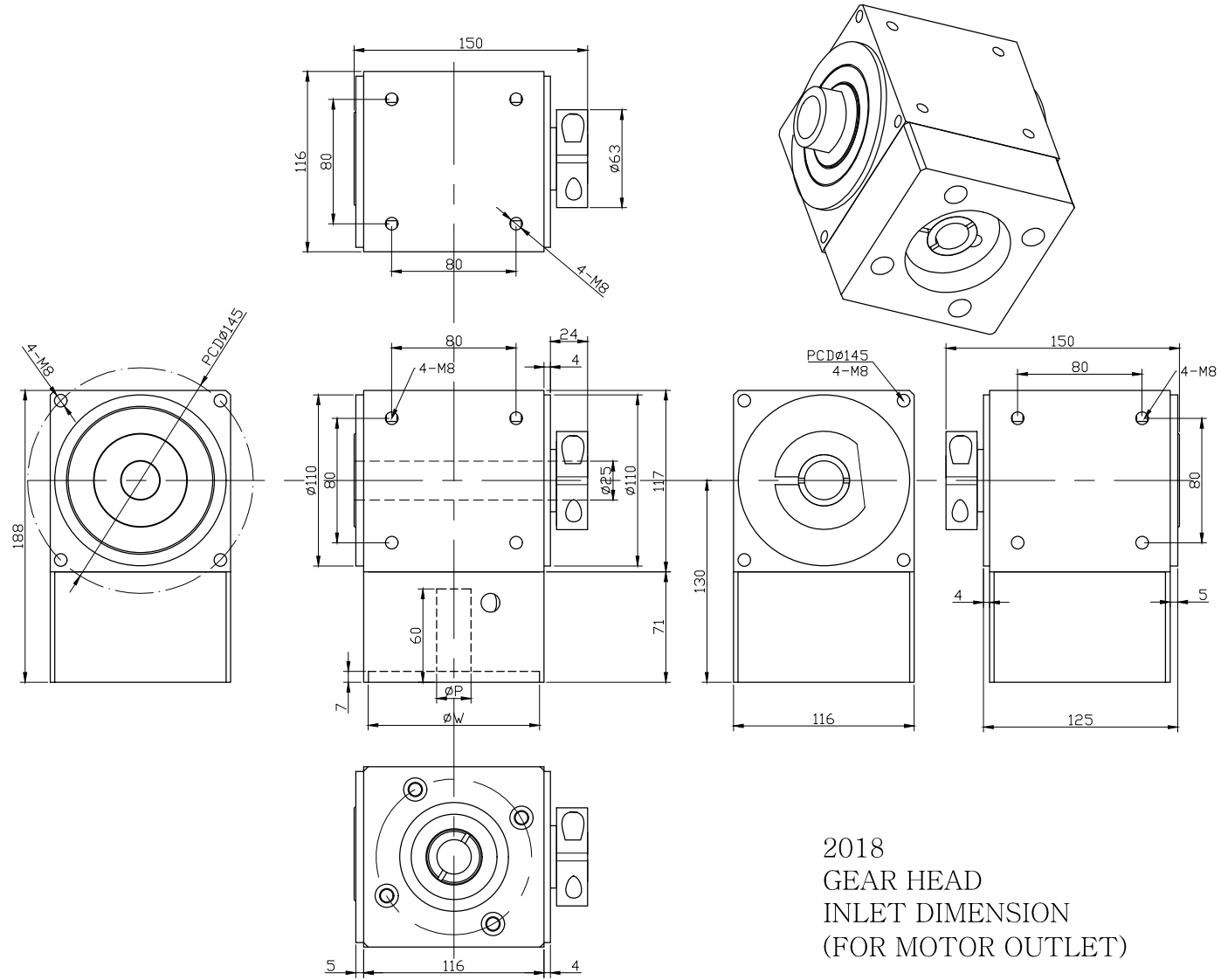


# RAH-120 Dimensions Figure & Unit (mm)

## 5楼



2018  
 GEAR HEAD  
 INLET DIMENSION  
 (FOR MOTOR OUTLET)