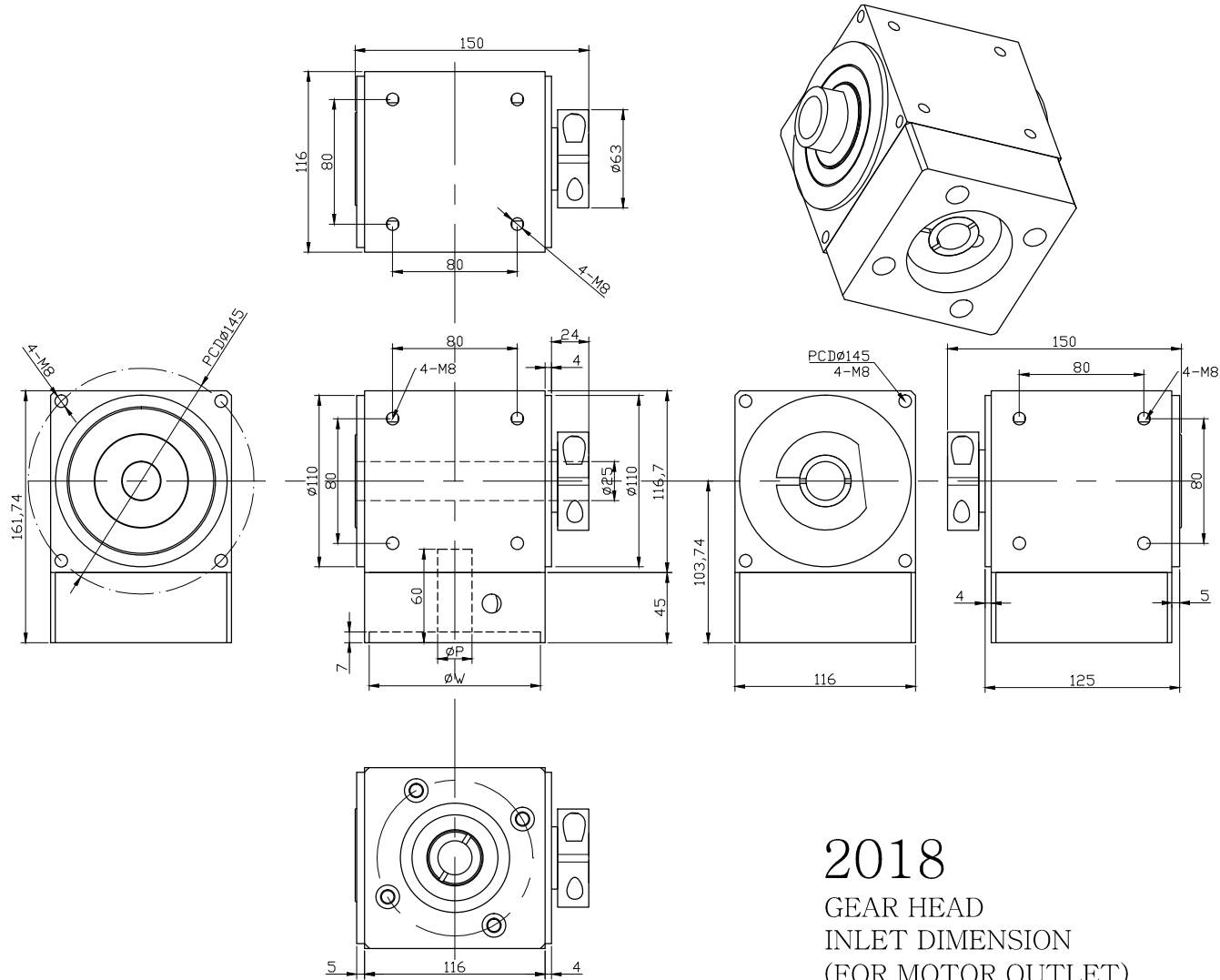


RAH-120 Dimensions Figure & Unit (mm)



2018
 GEAR HEAD
 INLET DIMENSION
 (FOR MOTOR OUTLET)