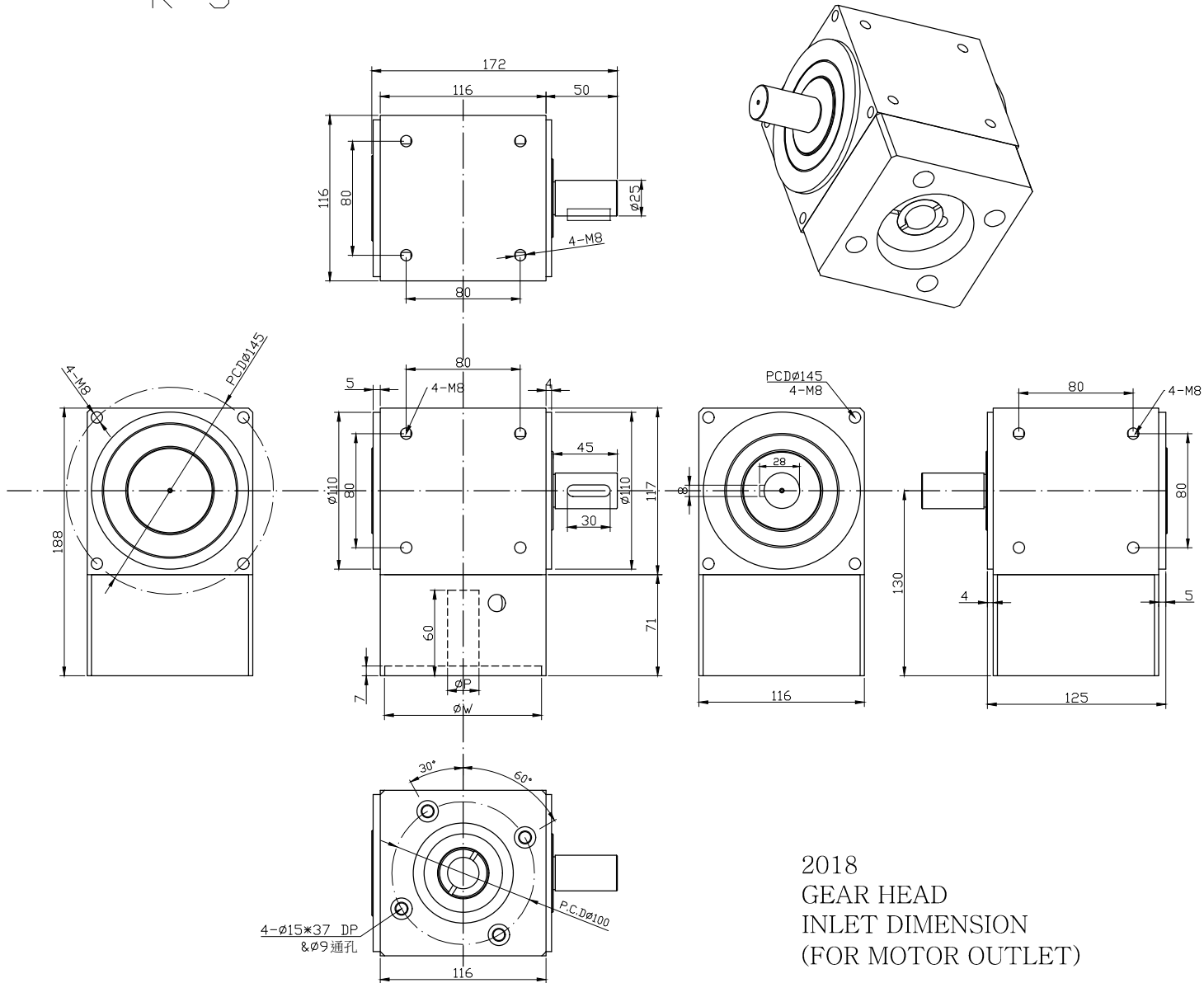


# RAS-120 Dimensions Figure & Unit (mm)

R=5



2018  
GEAR HEAD  
INLET DIMENSION  
(FOR MOTOR OUTLET)