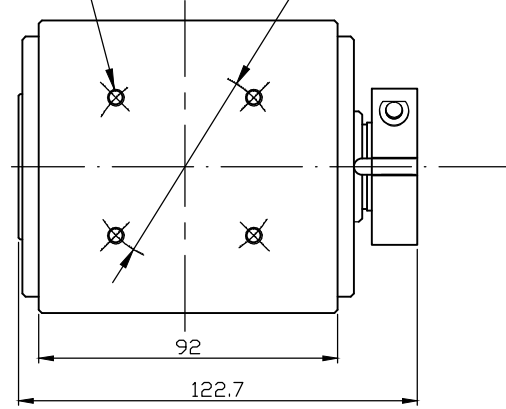
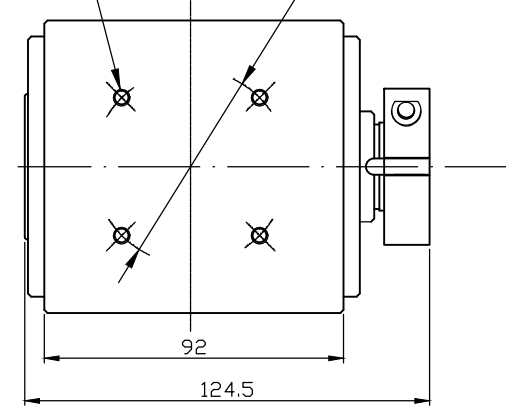


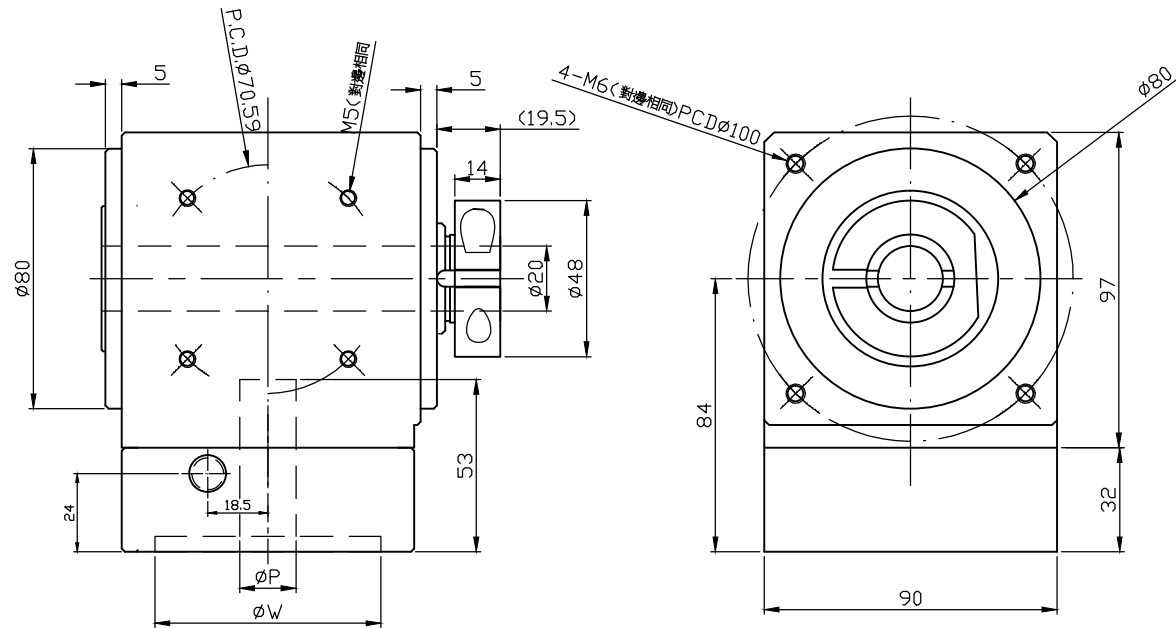
4- $\phi 4.3 \times 7$ DP.
M5 $\times 0.8$ P $\times 5$ DP. P.C.D. $\phi 60$



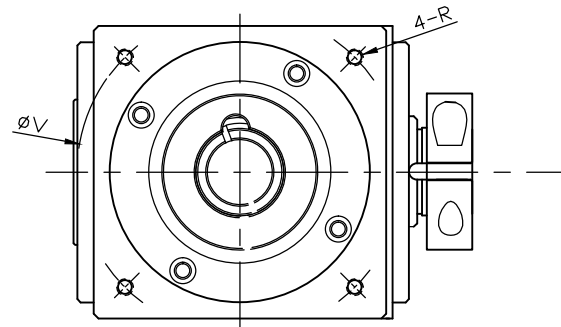
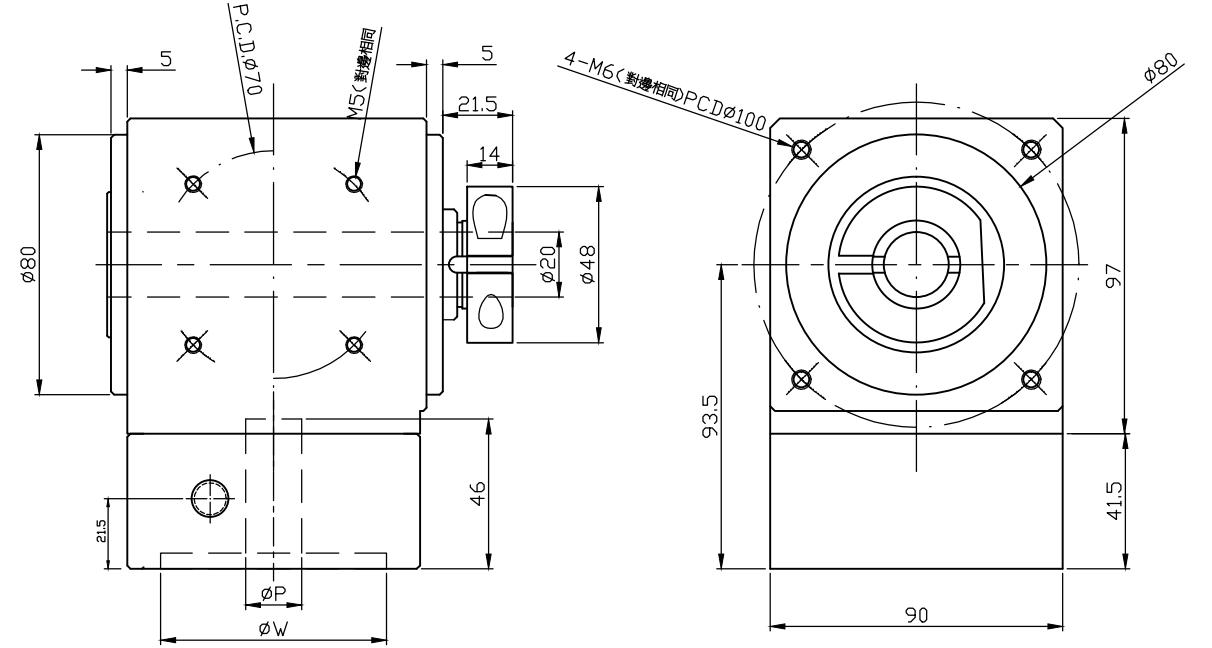
4- $\phi 4.3 \times 7$ DP.
M5 $\times 0.8$ P $\times 5$ DP. P.C.D. $\phi 60$



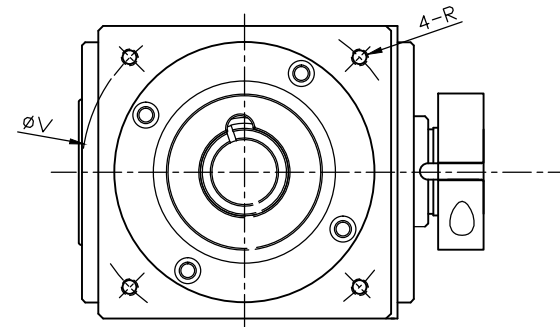
{RAH-090-2比}



{RAH-090-5比}



2018
GEAR HEAD
INLET DIMENSION
(FOR MOTOR OUTLET)



2018
GEAR HEAD
INLET DIMENSION
(FOR MOTOR OUTLET)