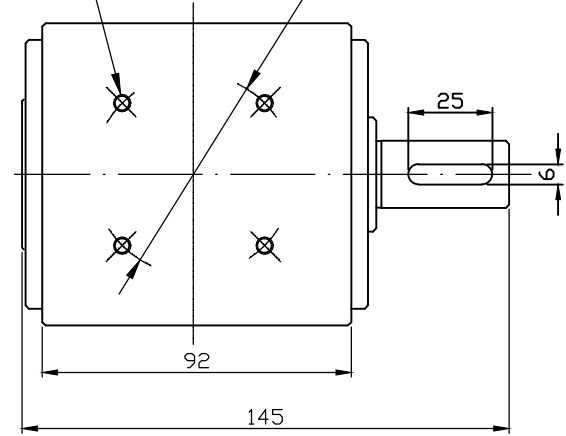
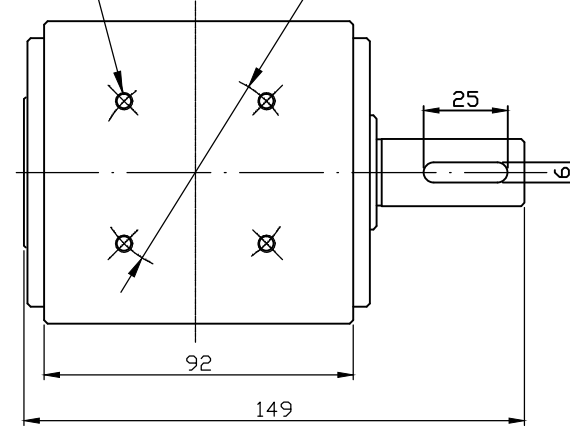


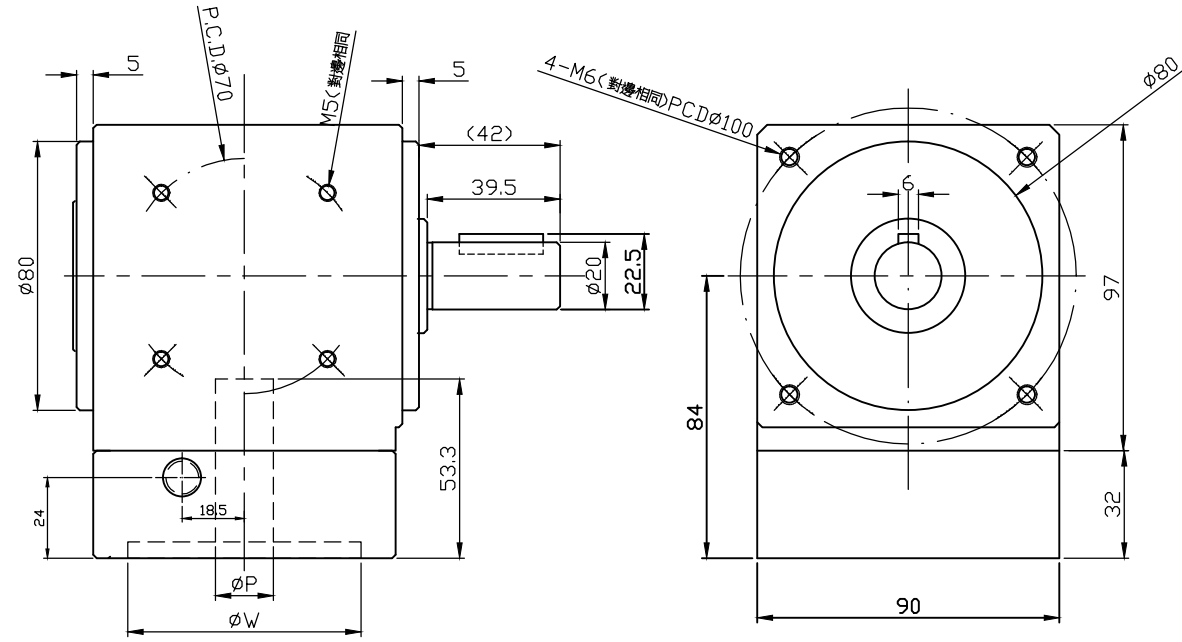
4- ϕ 4.3x7 DP,
M5x0.8Px5 DP,
P.C.D. ϕ 60



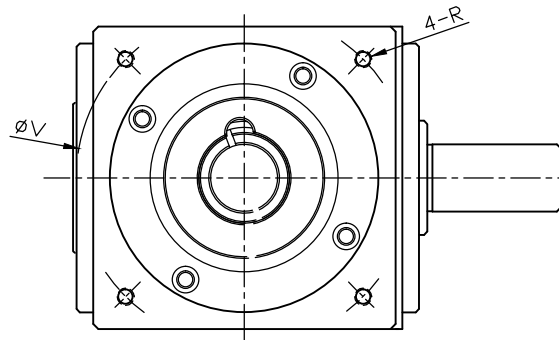
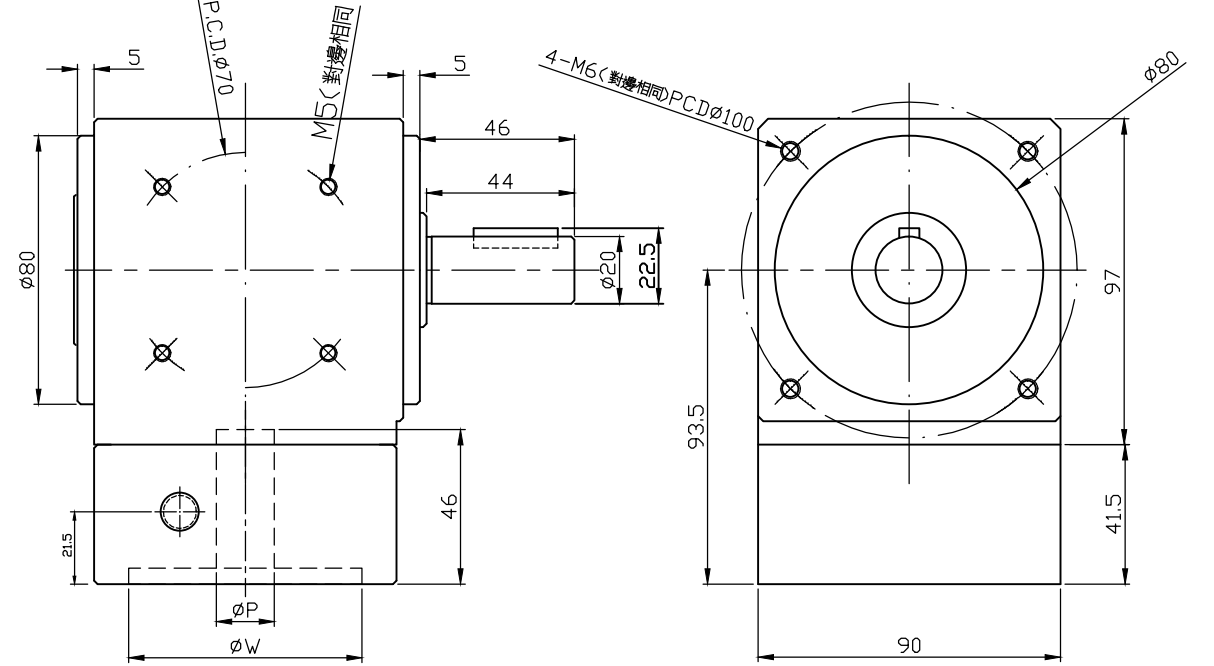
4- ϕ 4.3x7 DP,
M5x0.8Px5 DP,
P.C.D. ϕ 60



{RAS-090-2比}

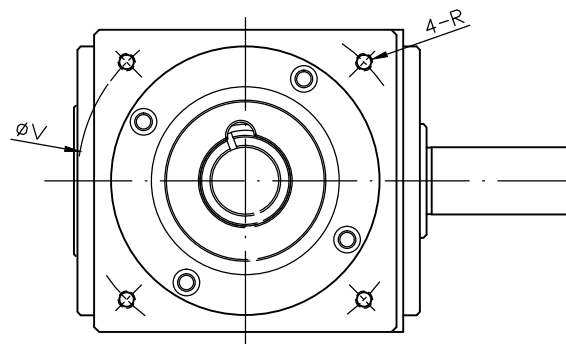


{RAS-090-5比}



2018

GEAR HEAD
INLET DIMENSION
(FOR MOTOR OUTLET)



2018

GEAR HEAD
INLET DIMENSION
(FOR MOTOR OUTLET)